

European Journal of Research and Reflection in Educational Sciences

Volume 7 Number 12, 2019 Part VII
ISSN 2056-5852



Progressive Academic Publishing, UK
www.idpublications.org

European Journal of Research and Reflection in Educational Sciences

Volume 7 Number 12, 2019 Part VII
ISSN 2056-5852

Progressive Academic Publishing, UK
www.idpublications.org

European Journal of Research and Reflection in Educational Sciences

(EJRRES)

Volume 7 Number 12, 2019 Part VII
ISSN 2056-5852

Progressive Academic Publishing, UK
www.idpublications.org

Editor-in-Chief

Dr. Elizabeth Kilbride, UNITED KINGDOM

Editorial and Review Board

Dr. Md. Mokter Hossain, The University of Alabama, Tuscaloosa, USA

Dr. Fadzli bin Adam, Universiti Malaysia Terengganu, MALAYSIA

Dr. Alba Robert Dumi, Professor & Dean, Vlora University, ALBANIA

Dr. Jacob Mapara, Associate Professor, Great Zimbabwe University, ZIMBABWE

Kunyuan Qiao, Graduate Research Assistant, Peking University, Beijing, CHINA

Dr. Abdelhamid Nabil Deghidi, Lecturer, Majmaah University SAUDIA ARABIA

Dr. Abbas Ali Zarei, Imam Khomeini International University, Qazvin, IRAN

Dr. Faheem Ahmad, Research Scientist, North-West University, SOUTH AFRICA

Abdussalam Shibani, Lecturer, Coventry University, UNITED KINGDOM

Abbas Rahdar, Head, Department of Physics, University of Zabol, Zabol, IRAN

Dr Abdul Jaleel Kehinde Shittu, Senior Lecturer, Universiti Utara Malasia, MALAYSIA

Ali I.Al-Mosawi, Technical Institute of Babylon, IRAQ

Dr. Mohammad Hadi Dehghani, Tehran University of Medical Sciences, Tehran, IRAN

Dr. Gehad Mohamed Saleh, Professor of Geology, Nuclear Materials Authority (NMA), Cairo, EGYPT

Dr. Kasi Eswarappa, Centre for Women Development and Gender Studies, National Institute of Rural Development (NIRD), Rajendranagar, Hyderabad, INDIA

Dr. Mohammed Viquaruddin, Assistant Professor, Deogiri College, Aurangabad, INDIA

S. Kannan, Ph.D. Research Scholar, Department of History, Annamalai University, Annamalainagar, Tamil Nadu, INDIA

Dr. Pragnesh B. Parmar, Smt. B.K. Shah Medical Institute and Research Center, Vadodara, INDIA

Dr. Gunvanti B. Rathod, Smt. B.K. Shah Medical Institute and Research Centre, Vadodara, INDIA

European Journal of Research and Reflection in Educational Sciences (EJRRES) is a peer-reviewed research journal published by Progressive Academic Publishing, UK. The journal is indexed with Google Scholar, ROAD Directory of Open Access Resources, UK and Impact Factor International, UK. For this journal we welcome manuscripts in the following areas:

Teaching and Learning, Learning Theories and Teaching Methodologies, Educational Psychology, Philosophy of Education, Sociology of Education, Special Education, Literacy, Primary, Secondary and Higher Education, Educational management, Leadership and Management, Educational Research, Curriculum and Instruction, Educational Change, Teacher Education, Pre-service and In-service Teacher Education, Teaching Practice and Internship, Professional Development of Teachers, Teacher Educator and Trainer Trainers, Distance Education, Teacher Education through Distance Education, Virtual Education, Investment in Education and ant other areas related to Educational Studies.

How to Submit Manuscripts: Manuscripts can be submitted online through our website www.idpublications.org. Alternatively, authors can submit manuscripts as an email attachment to: editor@idpublications.org.

Publisher's Address: Progressive Academic Publishing, Somerset House, Birmingham Business Park, Birmingham, United Kingdom, Post Code: B37 7BF.

Website: www.idpublications.org

Email: editor@idpublications.org

European Journal of Research and Reflection in Educational Sciences

Volume 7 Number 12, 2019 Part VII
ISSN 2056-5852

Articles in this issue

1. Khalmakhanovna, P. Z. (2019). Sports training technology, based on a psychemotional approach and supplemented by the influence of music assistance. *European Journal of Research and Reflection in Educational Sciences*, 7 (12), 1-5.

2. Odeldjanovna, S. S. (2019). Improvement of mechanisms of preparation of university students for pedagogical activity. *European Journal of Research and Reflection in Educational Sciences*, 7 (12), 6-10.

3. Abdullaevna, A. S. & Berdimurodovna, X. I. (2019). Diagnosis of students' patriotism in continuing education system. *European Journal of Research and Reflection in Educational Sciences*, 7 (12), 11-16.

4. Maxkamovich, A. Y. & Abdukahorovich, S. K. (2019). Modern approaches to the content of physical education of schoolchildren in the continuing education system. *European Journal of Research and Reflection in Educational Sciences*, 7 (12), 17-21.

5. Sharipovich, J. J. (2019). Ways to organize the process of physical education lessons on the basis of differentiation. *European Journal of Research and Reflection in Educational Sciences*, 7 (12), 22-24.

6. Holmuratovich, M. K. (2019). Implementation of independent educational activities of students. *European Journal of Research and Reflection in Educational Sciences*, 7 (12), 25-28.

7. Abdinazarova, Z. (2019). Improvement of the knowledge development system of higher educational institutions students (minors) on reproductive health. *European Journal of Research and Reflection in Educational Sciences*, 7 (12), 29-32.

8. Meyliyevna, B. M. (2019). Pedagogical support and development of the intellectual opportunities of children in preschool education. *European Journal of Research and Reflection in Educational Sciences*, 7 (12), 33-39.

9. Muradilloevich, U. I. (2019). Use of computer modeling in the process of teaching the general professional and special disciplines in higher educational institutions. *European Journal of Research and Reflection in Educational Sciences*, 7 (12), 40-48.

10. Kukiev, B., O'g'li, A. N. N. & Shaydulloyevich, B. Q. (2019). Technology for creating images in autocad. *European Journal of Research and Reflection in Educational Sciences*, 7 (12), 49-54.
11. Bohodirovna, M. Z., Hasanovich, K. K. & Boboqulovich, R. H. (2019). Content and teaching of the art classes. *European Journal of Research and Reflection in Educational Sciences*, 7 (12), 55-58.
12. Manzura, N. & Yulduz, I. (2019). Unity of soul and language. *European Journal of Research and Reflection in Educational Sciences*, 7 (12), 59-62.
13. Fakhriddinovna, K. B. (2019). The use of interactive methods for teaching English language the ages of 5-6. *European Journal of Research and Reflection in Educational Sciences*, 7 (12), 63-66.
14. Yusupova, N. M., Usmonova, M. I., Muslimova, R. M. & Umarova, N. E. (2019). Harmony of possibility and reality in language. *European Journal of Research and Reflection in Educational Sciences*, 7 (12), 67-72.
15. Komila, M. & Nargiza, P. (2019). Effectiveness of using games during teaching and upbringing preschool learners. *European Journal of Research and Reflection in Educational Sciences*, 7 (12), 73-76.
16. Marasulova, U. & Abdurakhimova, D. (2019). Ispring electronic test education program for improvement of English. *European Journal of Research and Reflection in Educational Sciences*, 7 (12), 77-81.
17. Tugalov, F. K. (2019). Formation of students' scientific outlook on problem-solving methods. *European Journal of Research and Reflection in Educational Sciences*, 7 (12), 82-84.
18. Karshiyev, A. A., Mamatkulova, U. E. & Shobutayev, Q. S. (2019). Implementation of a qualimetric approach in managing the quality of education of students of a modern university. *European Journal of Research and Reflection in Educational Sciences*, 7 (12), 85-92.
19. Rahmonov, F. G. (2019). Designing and using non-standard tests on the subject "structure, technical service and maintenance of an automobile" with the help of MyTestx program. *European Journal of Research and Reflection in Educational Sciences*, 7 (12), 93-97.
20. Mashrabjonovich, O. J. (2019). Technology for the development of pedagogical reflection. *European Journal of Research and Reflection in Educational Sciences*, 7 (12), 98-105.
21. Suvanovich, K. T. (2019). Methods of forming agrophysical knowledge through innovative technologies. *European Journal of Research and Reflection in Educational Sciences*, 7 (12), 106-108.

22. Khamidov, O. A. (2019). Theory and practice of introducing active and interactive forms of training in vocational education. *European Journal of Research and Reflection in Educational Sciences*, 7 (12), 109-114.
23. Akhmedov, E. R. (2019). Use of interactive electronic educational resources in professional training of students of vocational education. *European Journal of Research and Reflection in Educational Sciences*, 7 (12), 115-120.
24. Panjiyev, S. A. (2019). The didactic potential of virtual reality technologies. *European Journal of Research and Reflection in Educational Sciences*, 7 (12), 121-125.
25. Adolat, D. (2019). A system of exercises promoting the development of creative abilities of junior schoolchildren in mathematics classes. *European Journal of Research and Reflection in Educational Sciences*, 7 (12), 126-132.
26. Akyina, K. O. (2019). Factors influencing choice of bachelor of education (early grade) programme in college of agriculture education (CAGRIC), Asante Mampong. *European Journal of Research and Reflection in Educational Sciences*, 7 (12), 133-149.
27. Xidirovich, X. J. & Jumageldiyevich, S. B. (2019). Methodology for heliotechnical problems in school. *European Journal of Research and Reflection in Educational Sciences*, 7 (12), 150-152.
28. G. Ashurova, M. Meliqo'ziyeva & Sh. Karimova (2019). Reforms in the field of preschool education. *European Journal of Research and Reflection in Educational Sciences*, 7 (12), 153-154.
29. Davronova, D. S. (2019). Socio-pedagogical basis of girls' education in the family and in the Mahalla (in the community) based on a healthy lifestyle. *European Journal of Research and Reflection in Educational Sciences*, 7 (12), 155-158.
30. Ismoilovna, M. A. (2019). Some reflections on expressing the semantics of "respect". *European Journal of Research and Reflection in Educational Sciences*, 7 (12), 159-162.
31. Toshtillaevich, S. F. (2019). Socio-psychological problems concerning formation of stress resistance in future officers. *European Journal of Research and Reflection in Educational Sciences*, 7 (12), 163-167.
32. Mansurovna, R. I., Karimovna, A. Z. & Kyzy, K. F. K. (2019). The formation of the psyche of preschool children through physical education and sports. *European Journal of Research and Reflection in Educational Sciences*, 7 (12), 168-172.
33. Abdullaevna, H. F. & Menglimamat, P. J. (2019). The importance of extracurricular work in the cultivation of creative abilities of students in primary schools. *European Journal of Research and Reflection in Educational Sciences*, 7 (12), 173-178.

34. Tangirberganovich, R. R. (2019). Structure of the system of long-term sports training of footballers. *European Journal of Research and Reflection in Educational Sciences*, 7 (12), 179-185.
35. Nasriddinov, D. K. (2019). The meaning of the topic “electric field” in fire safety: the account of electrostatic phenomena while ensuring fire safety. *European Journal of Research and Reflection in Educational Sciences*, 7 (12), 186-189.
36. Daminov, O. O. (2019). Game as a means of formation and development of professional competence of future teachers of vocational education. *European Journal of Research and Reflection in Educational Sciences*, 7 (12), 190-196.
37. Saydullaevna, S. R. (2019). Significance of formulation of psycho-diagnostic competence in pedagogical activities. *European Journal of Research and Reflection in Educational Sciences*, 7 (12), 197-200.
38. Isokovich, T. A. (2019). Methodology of selection and solution of problems in the environmental context from electrodynamics. *European Journal of Research and Reflection in Educational Sciences*, 7 (12), 201-204.
39. Rakhmatovich, Y. D. (2019). Pedagogical and psychological features and factors of the development of pedagogical freethinking in students. *European Journal of Research and Reflection in Educational Sciences*, 7 (12), 205-208.
40. Kalandarovich, R. N. (2019). The use of specialized exercise complexes to help children develop balance. *European Journal of Research and Reflection in Educational Sciences*, 7 (12), 209-211.
41. Fayzullayeva, U. (2019). Experimental novels, written by Virginia Woolf. *European Journal of Research and Reflection in Educational Sciences*, 7 (12), 212-217.
42. Djakayeva, K. (2019). Formation of self-study skills of gifted students. *European Journal of Research and Reflection in Educational Sciences*, 7 (12), 218-220.
43. Khavazmatovna, G. I. & Bilalhanovna, S. A. (201). Development of creative abilities and logic thinking. *European Journal of Research and Reflection in Educational Sciences*, 7 (12), 221-229.
44. G`ulomovna, K. Z., Inomovna, I. H. & Qizi, A. M. A. (2019). Project method in teaching English. *European Journal of Research and Reflection in Educational Sciences*, 7 (12), 230-234.

Progressive Academic Publishing, UK
www.idpublications.org

TECHNOLOGY FOR CREATING IMAGES IN AUTOCAD

Boburmirzo Kukiev, Achilov Nurbek Norboy o'g'li & Bekqulov Qudrat Shaydulloyevich
Lecturers of Chirchik State Pedagogical Institute, Tashkent region

ABSTRACT

In this case, the theoretical aspects of the projection projection of the visual image are displayed in AutoCad. Practical Aspects of Writing Kraev Yarkix.

Keywords: Modeling, chamfer, pairings, pruning, center, view, radius, dimensions, editing, object snap.

INTRODUCTION, LITERATURE REVIEW AND DISCUSSION

The main goal of higher education is to meet the modernity of qualified specialists in the development of the modern scientific, cultural, economical and social sphere of the Republic of Uzbekistan, where qualified, competitive highly educated students can meet the requirements of the current direction and independently think and make their own contribution.

Currently, the introduction of new information and computer technologies in the field of education also requires modernization, modernization of the educational process, including all subjects taught in the field of fine art and engineering graphics.

Since modern, new e-learning aids have great potential, they can be used to increase the effectiveness of learning in education. This, however, will not only ensure the effectiveness of student learning, but also create the conditions for students in a large economy.

In solving these problems, all teachers of higher education are positively and creatively responsible. The use of modern information and computer technology in educational logical, methodological and purposefully natural answers will be borne by teachers who are well aware of the program.

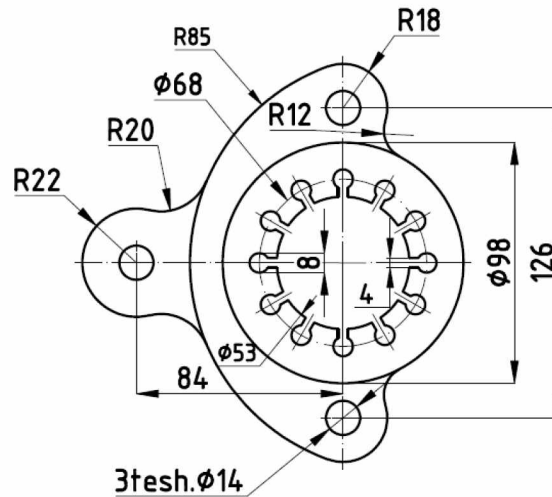
One of the main areas of teaching didactics is modern information and computer technologies that can lead to the development of a democratic principle. This can be surprising in the processes of e-learning and production, which solve problems, model, process, consistently demonstrate them using video recordings, they can be seen in production developments.

The use of Auto CAD software in drawing, mechanical engineering drawing, construction drawing, as well as their use in several objects creates an awkward condition and is separated from any visual materials and posters. In this article, we developed a methodology for teaching students using Auto Cad software how to create flat images of flat parts on a computer.

This correction of drawing was given to us in a 2D computer dimension, the model-drawing is performed and the ego measurement is put on it.

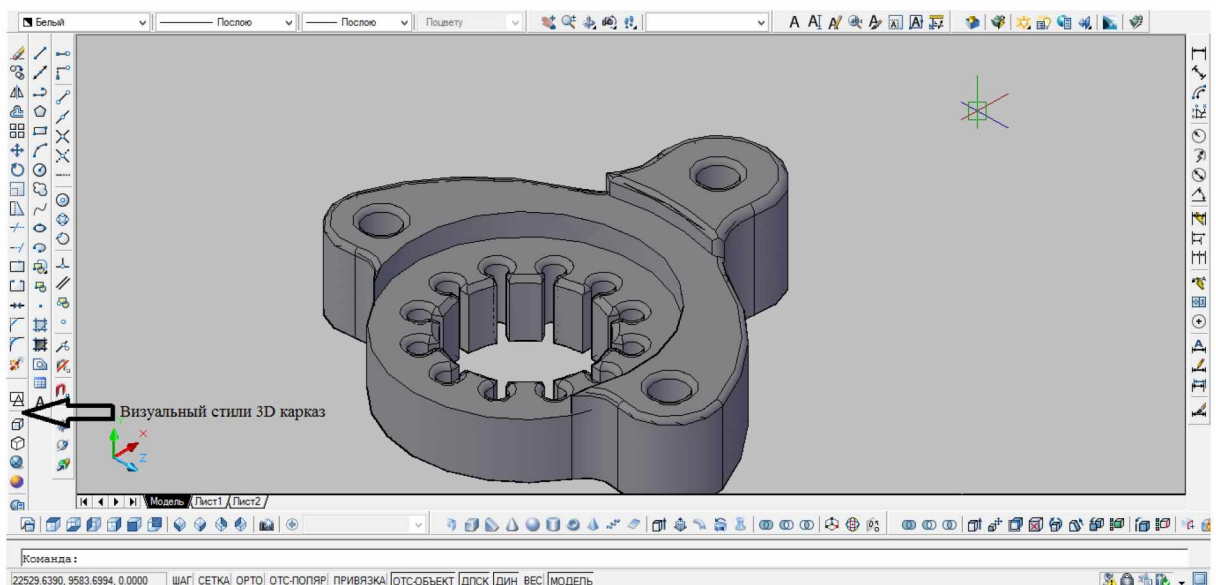
If the task is completed correctly, an image appears in A3 format. 1 drawing.

It is recommended that his clear picture be constructed in the following sequence.



1 – figure

1. The use of two-dimensional among, including the panel: “View”, “Business Style”, “Modeler”, “Orbit” and “UCS”, creates a three-dimensional condition for the 3D format. The orders shown in the 2-figure interface are executed.



2 - figure.

2. The connecting model is divided on the screen, a copy is copied to the right, all lines and the size are deleted leaving a flat outline.

If they are not removed, then there may be some problems with a clear image of our details. 3-figure.

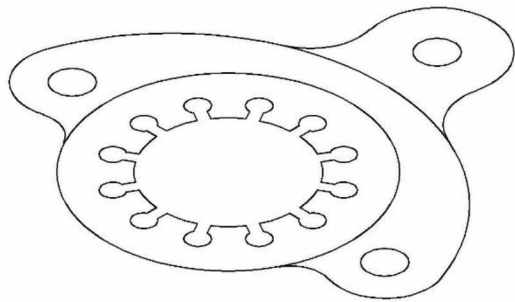


figure 3

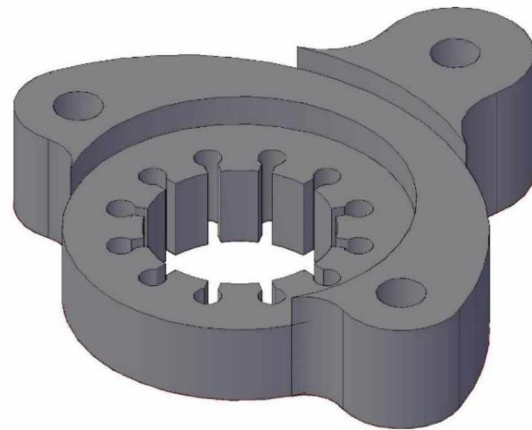


Figure 4

3. The 12-tools located in the “Modeling” package are loaded into the “Pull” panel, the cylinder bases are separated one by one (by pointing the desired point at the intersection of two circles with the help of the cursor and setting the desired height of the cylinders with three-part separation).

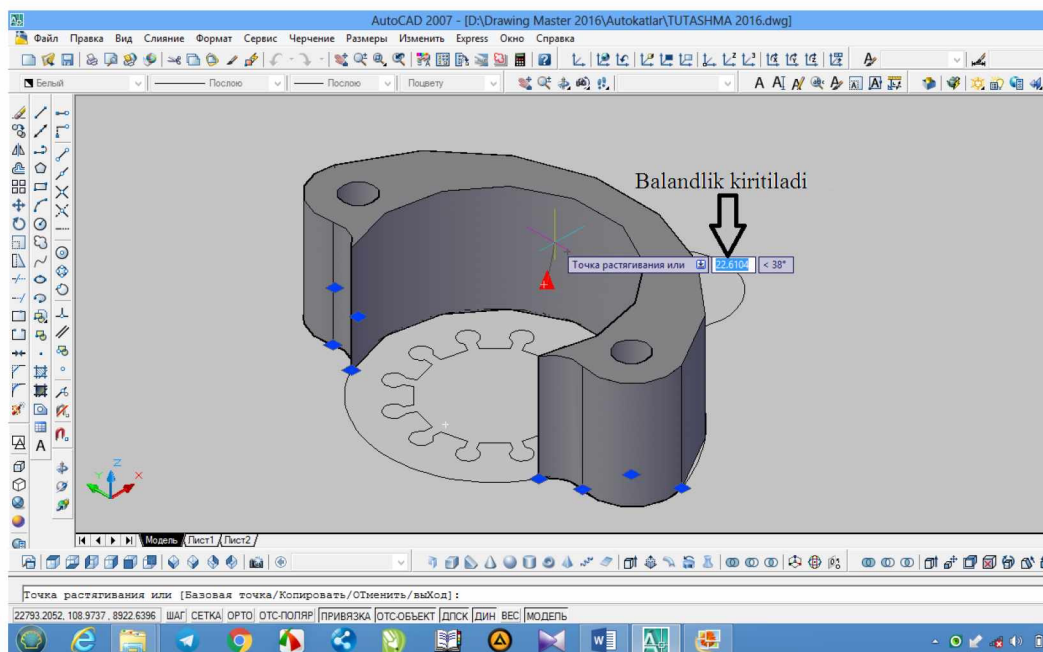


Figure 5

4. In Figure 4, an 8-isometric button is shown in the “View” panel, which shows how the image is clearly executed.

Based on this algorithm, the connecting rod of the cylinder is shown to be 25 mm, and the height of the doubled middle cylinder is 15 mm. 6-figure.

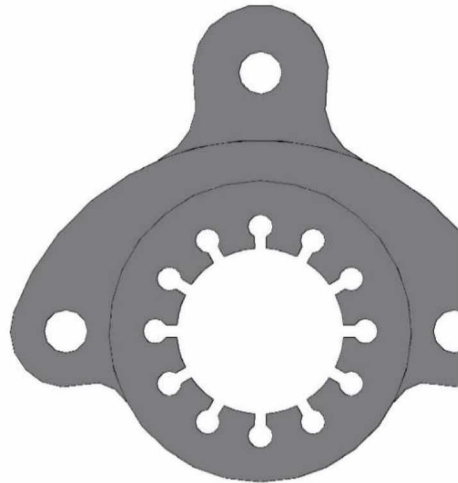


Figure 6

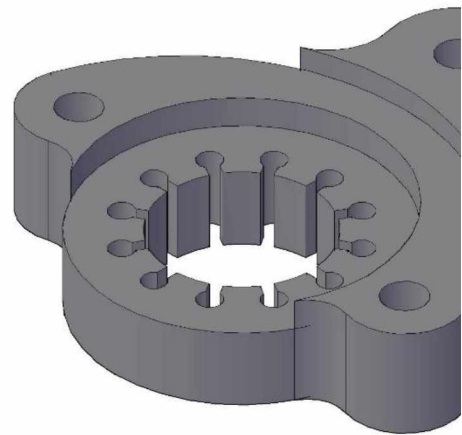


Figure 7

4. The raising of the ribbed part and the middle cylinder can be seen in Figure 6. Therefore, in order to convert it to 3D, they are first converted to the color of the cylinder.

5. The 8-isometric button on the “View” panel is loaded, and we will see a clear completion of the image of the part.

If the edges of the upper parts of the cylindrical parts of the part must be sawn with a radius of 2 mm, then this is done in the following order:

1. The contents of the parts of the part in one piece are combined with the help of the tool 16 “Combine” located in the panel “Modeling”.
2. On the panel 16 “Mates”, the button is loaded and the dialog box displays the record of the command “Select the first object or cancel / poly line / Line / Radius / Reset / several.
3. The next required radius is 1 or another radius is entered.
4. Then in the dialog box “Enter edge” / Viberite rebro / is entered one by one, and then it is confirmed with “Enter”. If while marking the edges one by one they remain unchecked, then in the keyboard we press the Shift button noting one by one and press the “Enter” button. Then then all the edges will become twisted. This can be recognized by the change in the gleam of the curled edges, 8-figure.

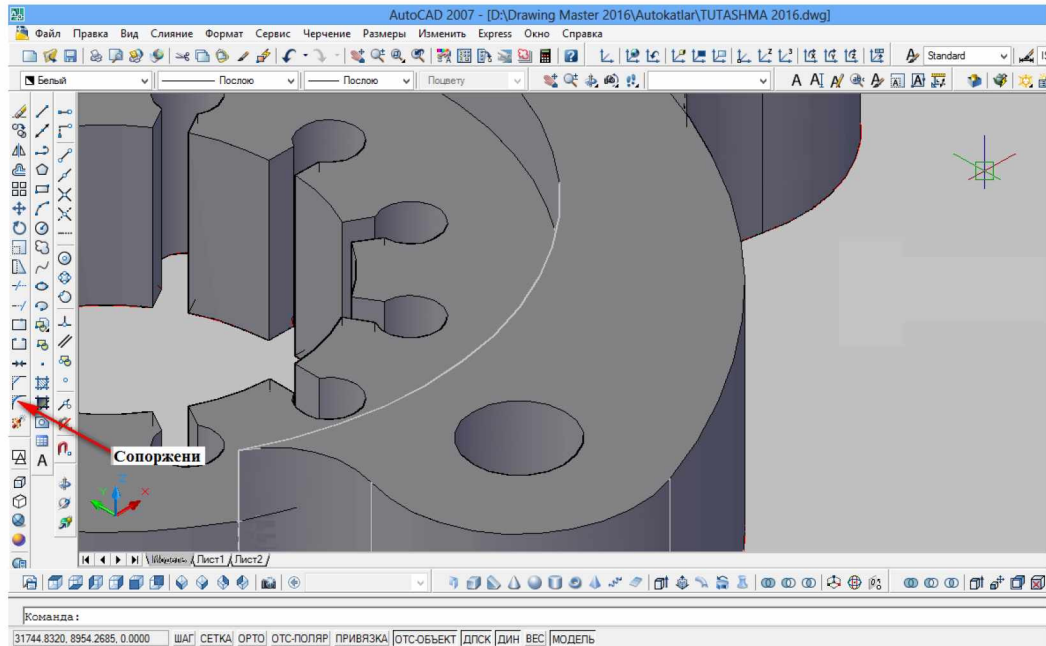


Figure 8

1. Therefore, before transferring the ego to 3D, we change them into the main light of the cylinder and, as indicated above, load the 9-isometric button on the “View” panel and create a clear image of the part, 10-image.

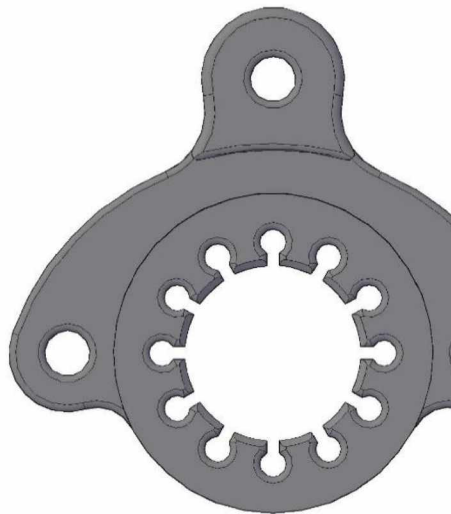


Figure 9

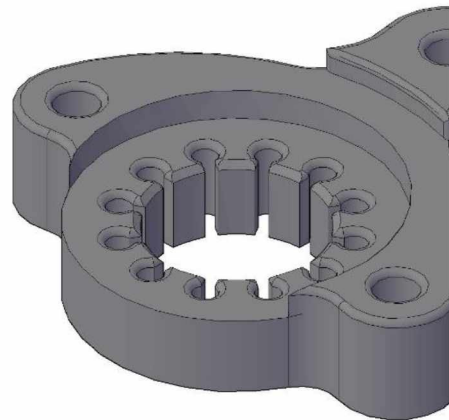


Figure 10

In practice, it is sometimes not feasible to twist the edges of similar parts. In this case, the parts are cut into several parts with a cutting plane, and edges are created.

Thus, in the Auto CAD program, some aspects of designing vivid images, three-dimensional designing of simple images can be performed on the computer program Auto CAD.

Also, this program does not have the ability to easily twist the edges. Therefore, it is required to fulfill the above requirements one by one with nausea.

REFERENCES

1. F. Alimov, H. Shodimetov, A. Ibrahimov Computer graphic art asoslari. “Uzbekistan File Suflari Milli Zhamiyati.” - T., 2012.
2. T.Rikhsibaev wa b. Computer graphics. - T .: Tafakkur Kanoti, 2012.
3. Fedorenko. Kimaev. AutoCAD 2002. - M., 2001.
4. Romanicheva E.T. and other AutoCAD versions. 12, 13, 14. - M, 1997.
5. Klimacheva T.N. 2D drafting in AutoCAD 2007-2010. Tutorial. - M.: DMK Press, 2009 -560 s.
6. T. Rixsiboyev, Malikov K. Kompyuter grafikasi. Toshkent-2015,132-140 b.